

4

3

2

1

THIS DRAWING IS UNPUBLISHED.

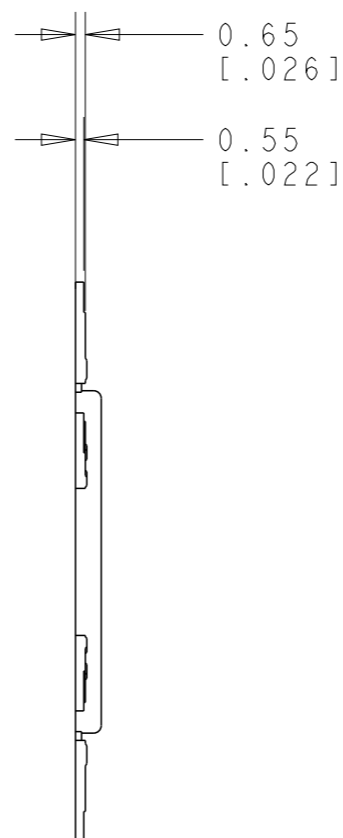
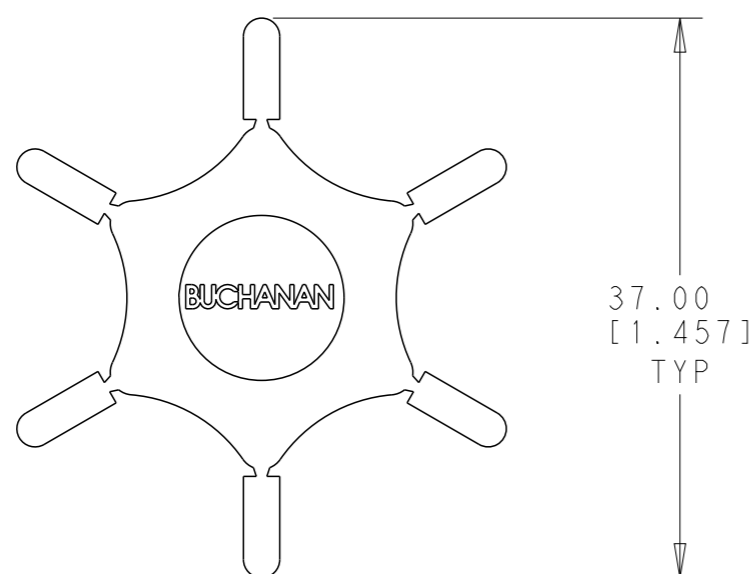
RELEASED FOR PUBLICATION

20

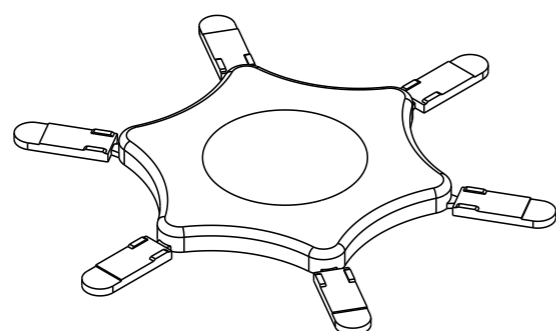
© COPYRIGHT 20 BY -

ALL RIGHTS RESERVED.


| LOC | DIST | REVISIONS | | | | | |
|-----|------|-----------|-----|-------------|-----------|-----|------|
| | | P | LTR | DESCRIPTION | DATE | DWN | APVD |
| - | - | | A | NEW DRAWING | 17SEP2012 | KH | MB |
| | | | | | | | |
| | | | | | | | |



1 TEMPERATURE RATING 110°C [230°F]



| | | |
|-------|-----------------|-------------|
| RED | PA 6-6, UL94-V0 | 1546051-1 |
| COLOR | MATERIAL | PART NUMBER |

| | | | | | | |
|--|--|---------------------------------|--|---------------|-------|-----------|
| THIS DRAWING IS A CONTROLLED DOCUMENT. | | DWN 17SEP2012 KIRAN HOLAL |  TE Connectivity NAME POLARIZATION KEY FOR 3.5/3.81MM TERMINAL BLOCK HEADERS | RESTRICTED TO | | |
| DIMENSIONS: MM[INCHES] | | CHK 17SEP2012 MARK BRUBAKER | | SIZE | | A300779 |
| TOLERANCES UNLESS OTHERWISE SPECIFIED: | | APVD 17SEP2012 MARK BRUBAKER | | CAGE CODE | | |
| 0 PLC ±- 1 PLC ±- 2 PLC ±0.15[.006] 3 PLC ±- 4 PLC ±- ANGLES ±- | | PRODUCT SPEC 108-20166 | | DRAWING NO | | C=1546051 |
| MATERIAL - | | APPLICATION SPEC 114-20079 | WEIGHT | | | |
| FINISH - | | Customer Drawing | SCALE 2:1 | SHEET 1 OF 1 | REV A | |